

Features:

- 2 ~ 12 circuits available
- Accepts 4310-00TME terminal
- Material: UL 94V-2

Specification:

- Current rating and wire size:

Wire Size AWG	Circuits			
	2, 3	4 ~ 6	7 ~ 10	11, 12
# 16	9 A	8 A	7 A	6 A
# 18	9 A	8 A	7 A	6 A
# 20	7 A	6 A	5 A	5 A
# 22	5 A	4 A	4 A	4 A
# 24	4 A	3 A	3 A	3 A
# 26	3 A	2 A	2 A	2 A
# 28	2 A	1 A	1 A	1 A

- Voltage rating: 600V (R.M.S.)
- Insulation resistance: DC 500V 1000MΩ min.
- Dielectric withstanding voltage: 1500V AC/minute
- Ambient temperature range: -40°C ~ 105°C
(including temperature rise)

Dimensional Information (mm)

Circuits	Dim. A	Dim. B	Dim. C
N	4.2 x (N - 1)	4.2 x N + 1.2	4.2 x N + 6.6

&& N = 2 ~ 6

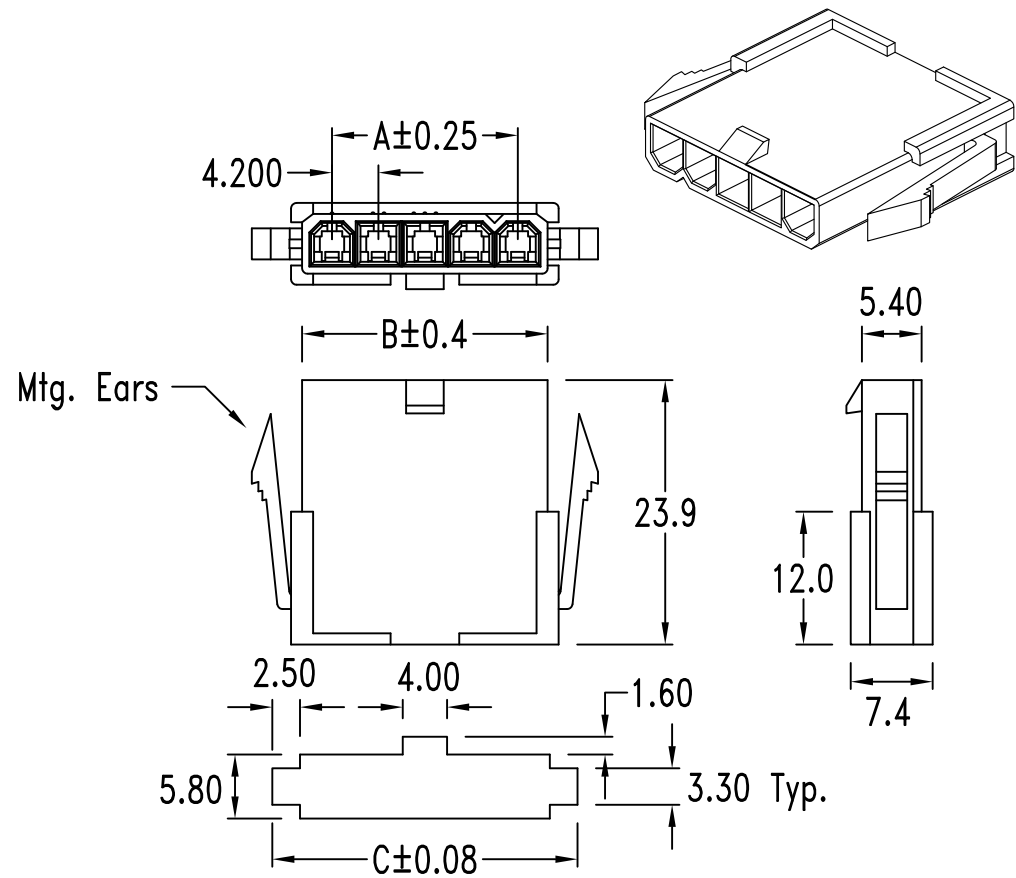
Ordering Information

P N : 4 3 1 0 - x x | H F

Serial Type

No. of Contact
02~06PIN

REV	ECN NO.	DESCRIPTION	DATE	APP'D
C/D		RELEASE TO PRODUCTION		Paul



PANEL CUTOUT [Max. panel thickness: .079"(2.0mm)]

TOLERANCE	APPROVALS	DATE	易昕企業有限公司 LEAMAX ENTERPRISE CO., LED.		
.000 ± 0.08 (mm)	DRAWN Daniel	05-01-15	TITLE: .165"(4.2mm) Single Row Plug Housing		
.00 ± 0.25 (mm)	CHK'D Huang	01-06-15	DWG NO.4310-HFA		
.0 ± 0.40 (mm)	APP'D Chen	12-06-15	DWG NO.4310-HFA		
	UNTS mm	SCALE 1:1	SIZE:A4	SHEET 1 OF 1	REV. C/D