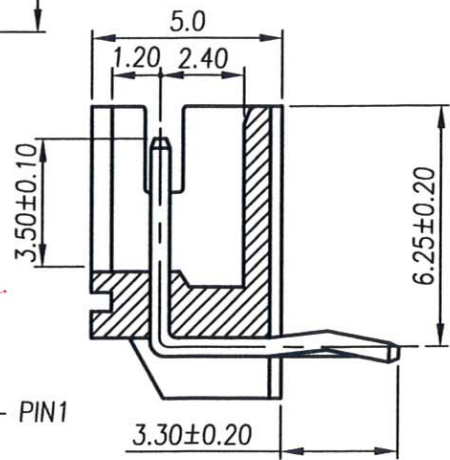
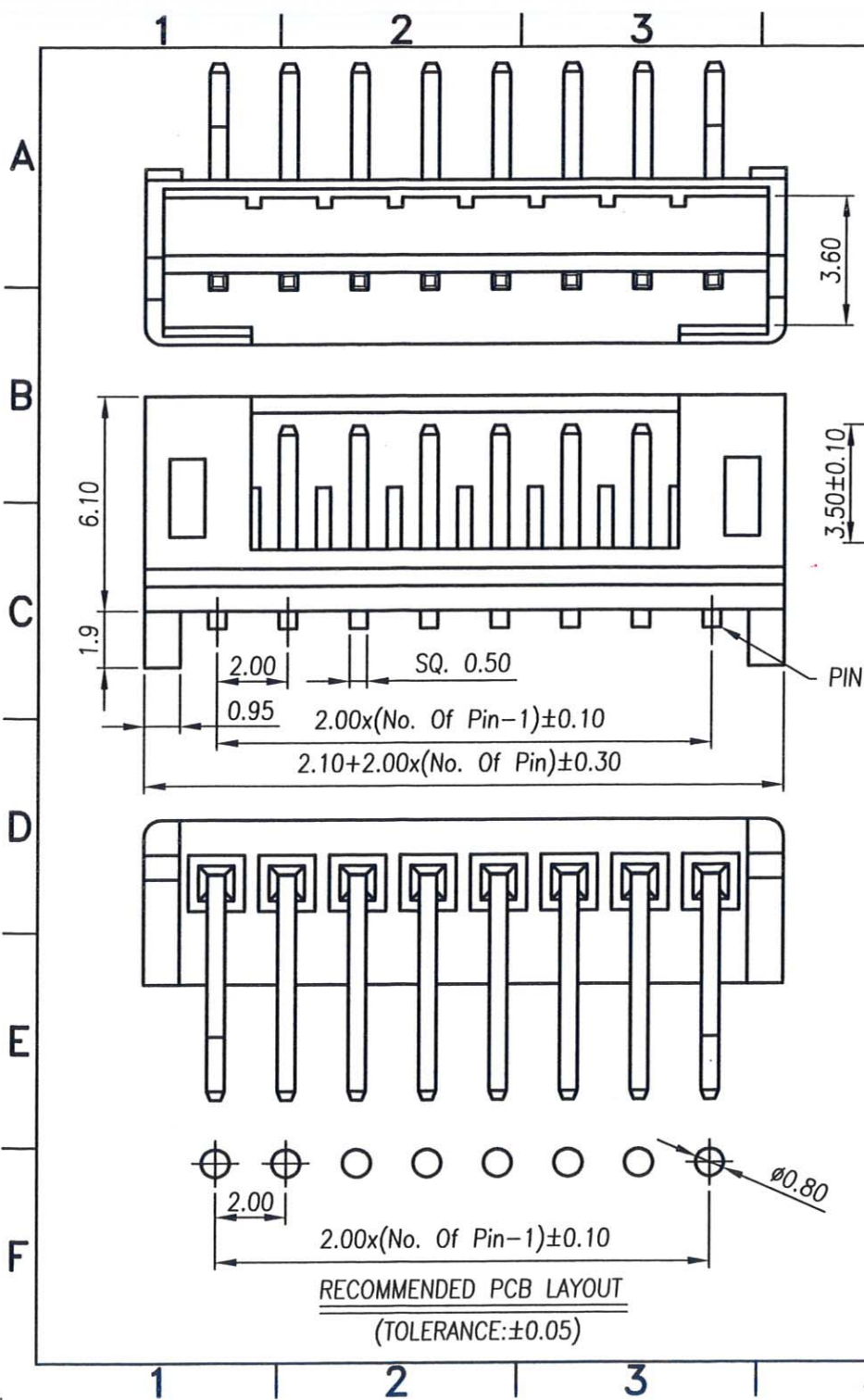


RoHS Compliant

REV	MODIFICATION	DATE	DRAW
A5	Release To ECN20130304	20-03-13	Seven
A6	Release To ECN20130315	25-03-13	Seven
B0	Release To ECN20130511	23-05-13	Michelle



Specification

1. Current Rating: 2A AC/DC
2. Voltage Rating: 100V AC
3. Contact Resistance: 20mΩ Max.
4. Insulation Resistance: 1000MΩ Min. At 500V
5. Dielectric Withstanding Voltage: AC 800V / Minute
6. Operating Temperature: -25°C ~ +85°C

Material:

1. Housing : High Temperature Thermoplastic UL94V-0
2. Contact Pin : Copper Alloy SQ, Pin 0.50mm

Finish :

1. Housing : NY66 UL94V-0 Nature
2. Contact Pin : Bright Tin Plated Over Nickel. (With Kink)
3. Packing: Bag

PART NO.: 4 3 2 0 - xx WE



No Of Pin
02~16



易昕企業有限公司
LEAMAX ENTERPRISE CO.,LTD.

TOLERANCE UNLESS OTHERWISE SPECIFIED		PROJ.	TITLE: Wire To Board Wafer 2.0mm 90° DIP			
.X± 0.35	X. °± 2°	APP James 30-08-16	DWG NO. 4320-DW1			
.XX± 0.25	.X°± 1°	CHK Huang 01-08-16	UNITS: mm	PN: 4320-xxWE		
.XXX± 0.15	.XX°± 0.5°	DRA Michelle 23-05-13	SIZE: A4	SCALE 5:1	SHEET 1 / 1	REV B0 V