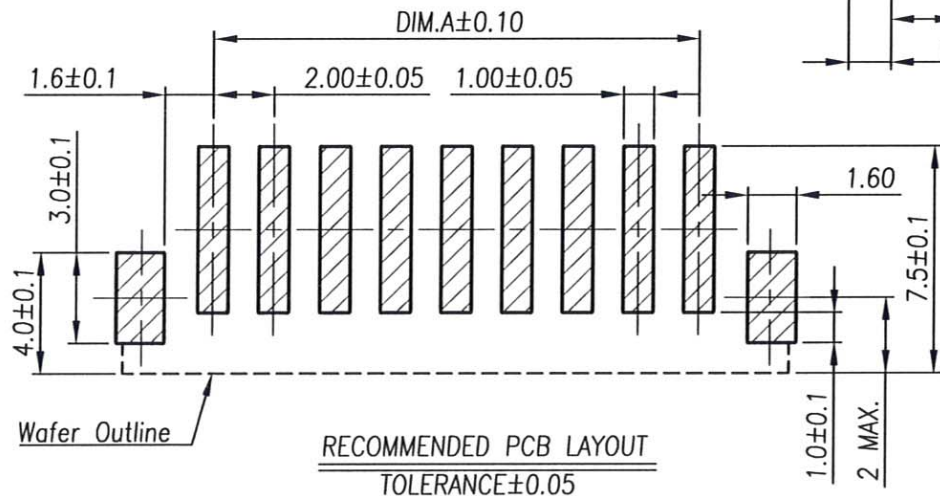
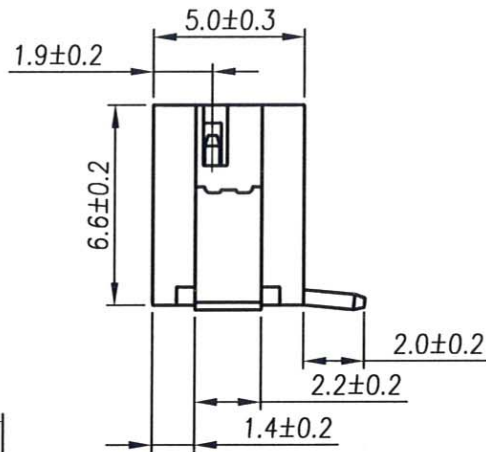
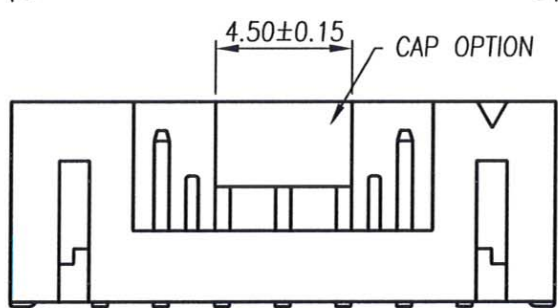


PIN	DIM.A	DIM.B	DIM.C	PIN	DIM.A	DIM.B	DIM.C
02	2.00	8.00	4.80	10	18.00	24.00	20.80
03	4.00	10.00	6.80	11	20.00	26.00	22.80
04	6.00	12.00	8.80	12	22.00	28.00	24.80
05	8.00	14.00	10.80	13	24.00	30.00	26.80
06	10.00	16.00	12.80	14	26.00	32.00	28.80
07	12.00	18.00	14.80	15	28.00	34.00	30.80
08	14.00	20.00	16.80	16	30.00	36.00	32.80
09	16.00	22.00	18.80				



REV	MODIFICATION	DATE	DRAW
A1	Release To ECN20110505	12-05-11	Seven
A2	Release To ECN20111005	07-10-11	Ivy
A3	Release To ECN20130304	20-03-13	Seven

**RoHS Compliant**

**Specification**

- 1.Current Rating:2A
- 2.Voltage Rating:100V AC/DC
- 3.Contact Resistance:20mΩ Max.
- 4.Insulation Resistance:1000MΩ Min.
- 5.Dielectric Withstanding Voltage:800 VAC/Minute
- 6.Operating Temperature:-25℃~85℃

**Material:**

- 1.Housing:High Temperature Thermoplastic UL94V-0
- 2.Contact Pin:Copper Alloy SQ Pin=0.50mm
- 3.Tab:Copper Alloy
- 4.Cap:High Temp. Thermoplastic UL94V-0(None H/F)

**Finish:**

- 1.Housing:HTN UL94V-0 Natural None Halogen Free
- 2.Contact Pin:Bright Tin Plated Over Nickel
- 3.Tab:Bright Tin Over Nickel
- 4.Cap:Natural

PART NO. : 4 3 2 0 - S x x S x E  
No Of Contacts 02~16 E:RoHS

**Packing**

- T: TUBE /Without CAP
- W: TUBE /With CAP
- R: T & R /Without CAP
- C: T & R /With CAP



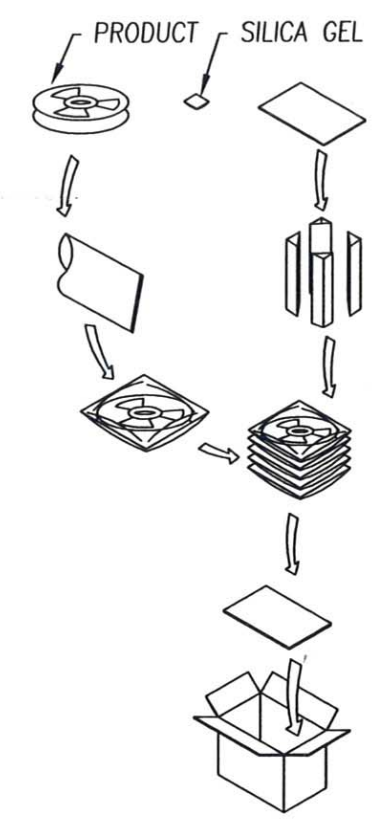
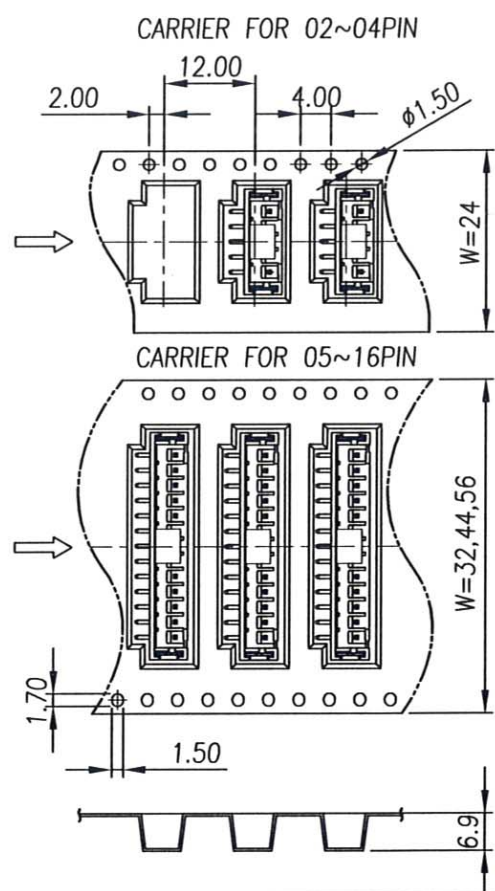
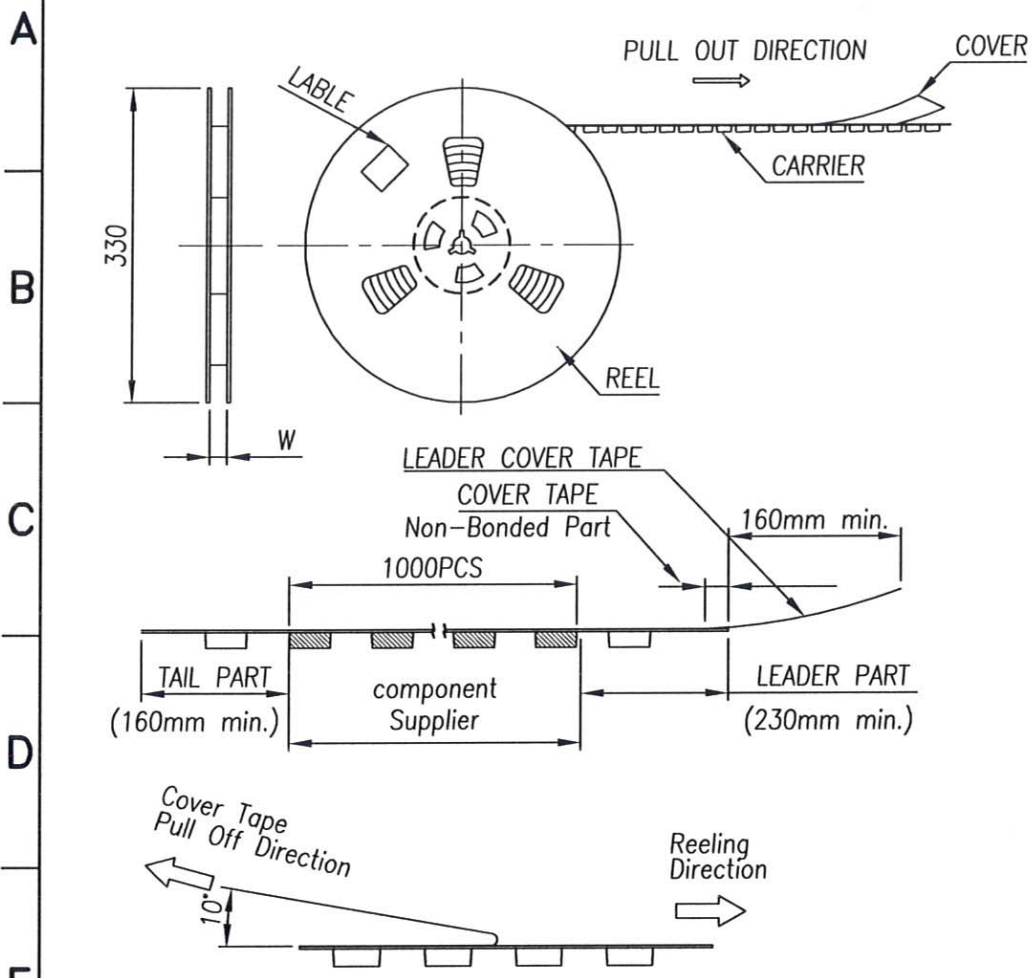
**易昕企業有限公司**  
LEAMAX ENTERPRISE CO.,LTD.

TOLERANCE UNLESS OTHERWISE SPECIFIED		PROJ.	TITLE: Wire To Board Wafer 2.0mm 180° SMT
.x± 0.35	x.*± 2'	APP James 24-09-13	DWG NO. 4320-S02
.xx± 0.25	.x.*± 1'	CHK Huang 02-09-13	UNITS: mm PN: 4320-SxxxSxE
.xxx± 0.15	.xx.*± 0.5'	DRA Seven 20-03-13	SIZE: A4 SCALE 4:1 SHEET 1 / 2 REV A3 V

RoHS Compliant



REV	MODIFICATION	DATE	DRAW
A1	Release To ECN20110505	12-05-11	Seven
A2	Release To ECN20111005	07-10-11	Ivy
A3	Release To ECN20130304	20-03-13	Seven



PIN NO.	W ±0.30	PCS / REEL
02 ~ 04	24	1000
05 ~ 07	32	
08 ~ 14	44	
15 ~ 16	56	

NOTES:  
 1. Material: PS  
 2. PART NO.: 4320-SxxSxE  
 Packing  
 R: T & R / Without CAP  
 C: T & R / With CAP

**易昕企業有限公司**  
LEAMAX ENTERPRISE CO.,LTD.

TOLERANCE UNLESS OTHERWISE SPECIFIED		PROJ.	TITLE: Wire To Board Wafer 2.0mm 180° SMT			
.xx± 0.35	x.*± 2'	APP James 24-09-13	DWG NO. 4320-S02			
.xx± 0.25	.x.*± 1'	CHK Huang 02-09-13	UNITS: mm	PN: 4320-SxxSxE		
.xxx± 0.15	.xx.*± 0.5'	DRA Seven 20-03-13	SIZE: A4	SCALE 4:1	SHEET 2 / 2	REV A3 V