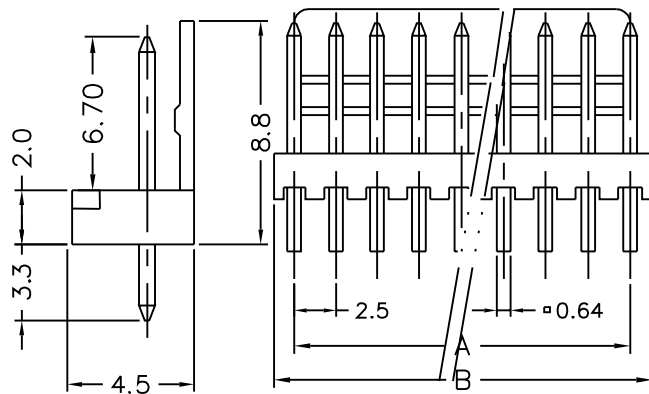
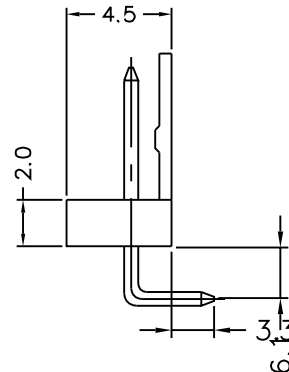


Straight Angle



Right Angle



Dimensions : mm

Circuits	Straight / Right Angle	
	A	B
2	2.5	5.10
3	5.0	7.60
4	7.5	10.10
5	10.00	12.60
6	12.50	15.10
7	15.00	17.60
8	17.50	20.10
9	20.00	22.60
10	22.50	25.10
11	25.00	27.60
12	27.50	30.10
13	30.00	32.60
14	32.50	35.10
15	35.00	37.60
16	37.50	40.10
17	40.00	42.60
18	42.50	45.10
19	45.00	47.60
20	47.50	50.10

SPECIFICATIONS

Rated Voltage 250V AC,DC

Rated Current 2A.AC.DC

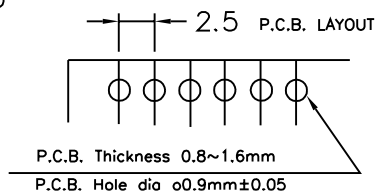
Withstand Voltage 1,000V AC/minute

Insulation Resistance 1,000MΩ/min


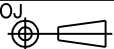
Applicable P.C.B Thickness 0.8~1.6mm

Applicable P.C.B. Hole dia $\phi 0.9\text{mm} \pm 0.05$

Temperature range -25~85°C



Tolerance ± 0.2

 易昕企業有限公司 LEAMAX ENTERPRISE CO., LED.			
PROJ		SCALE : F DO NOT SCALE DWG	MOLD NO 4323
APP		MODEL	FILE NO Wafer p:2.5mm
CHK	CCJ	92.01.14	REV. X1
DGN	AMY	92.01.14	UNIT
DRW	SHIEH	92.01.14	MM
			SHT 1 OF 1
			SIZE A4