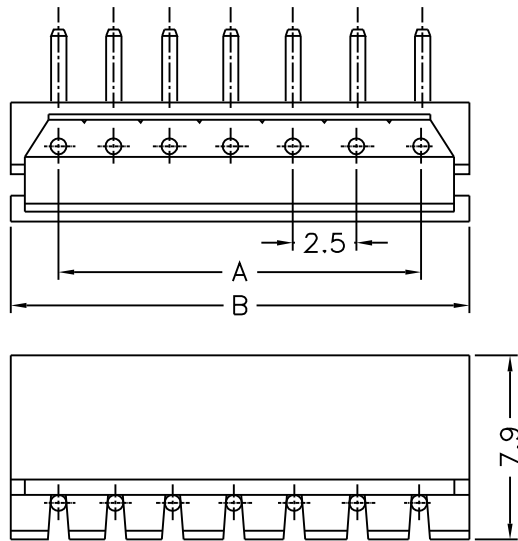
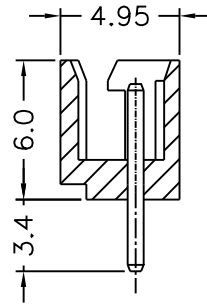
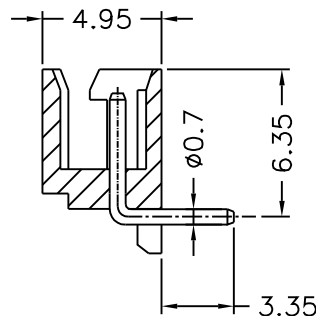


Straight Angle (V version)



Right Angle (R version)



Dimensions : mm

Circuits	Straight / Right Angle	
	A	B
2	2.50	7.50
3	5.00	10.00
4	7.50	12.50
5	10.00	15.00
6	12.50	17.50
7	15.00	20.00
8	17.50	22.50
9	20.00	25.00
10	22.50	27.50
11	25.00	30.00
12	27.50	32.50
13	30.00	35.00
14	32.50	37.50
15	35.00	40.00
16	37.50	42.50

SPECIFICATIONS

Available in 2 through 16 circuits


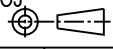
Insulator Material : Nylon 66 UL94V-0

Contact : 0.7mm(.028")tin plated round pin

Plating : G:Gold plated T: Tin plated

Type : S:Straight R:Right Angle

Tolerance ± 0.2

 易昕企業有限公司 LEAMAX ENTERPRISE CO., LED.				
PROJ 	SCALE : F DO NOT SCALE DWG	MOLD NO 4325		
APP		MODEL	FILE NO	REV. X1
CHK	CCJ	89.11.01		
DGN	WU	89.11.01	UNIT MM	SIZE A4
DRW	SHIEH	89.11.01	SHT 1 OF 1	