



RoHS Compliant

REV	MODIFICATION	DATE	DRAW
A0	Release To ECN20150703	15-07-15	Michelle
A1	Release To ECN20150808	24-08-15	Michelle

Specification

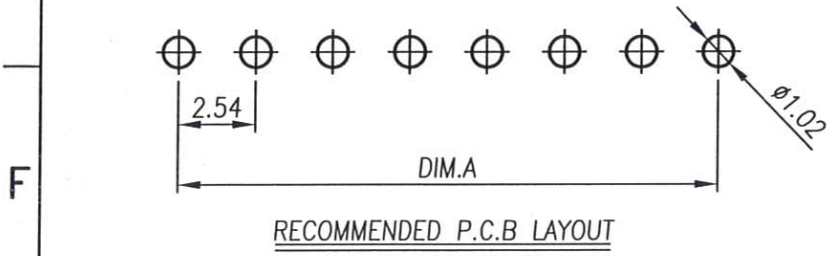
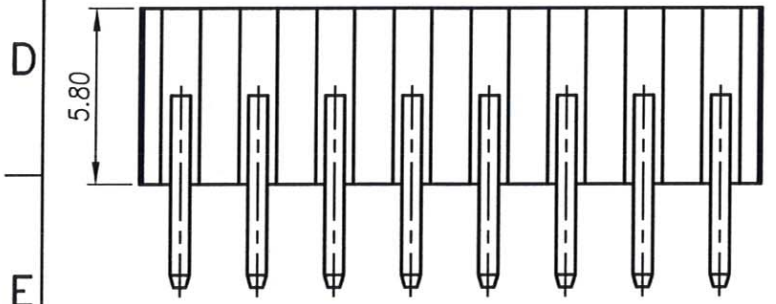
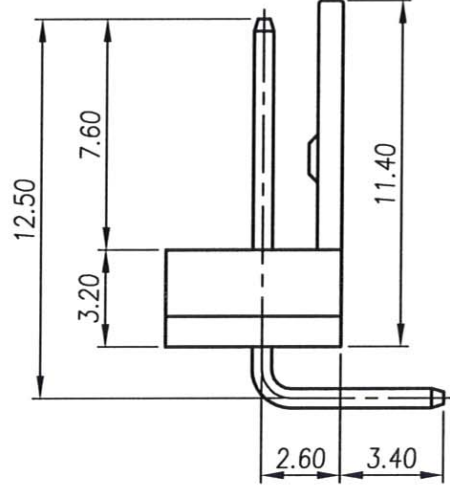
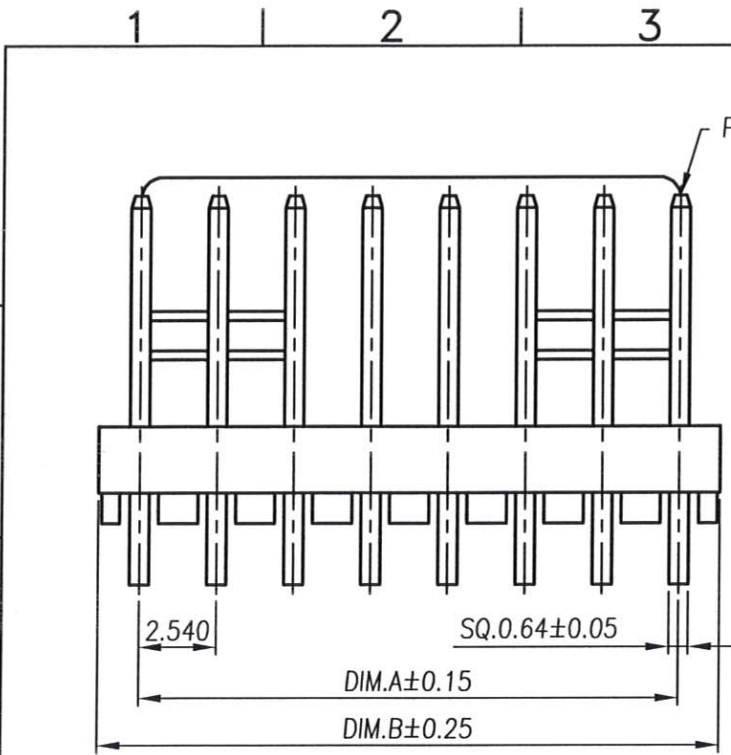
- 1.Current Rating:3A AC/DC
- 2.Voltage Rating:250V AC/DC
- 3.Contact Resistance:20mΩ Maximum
- 4.Insulation Resistance:1000MΩ Min. At DC 500V
- 5.Dielectric Withstanding Voltage:AC1000V/Minute
- 6.Operating Temperature:-25°C~+85°C

Material:

- 1.Housing:High Temperature Thermoplastic UL94V-2
 - 2.Contact Pin:Copper Alloy SQ. Pin 0.64mm
- Finish:
- 1.Housing:Nylon66 UL94V-2 Natural
 - 2.Contact Pin:Bright Tin Plated Over Nickel

Part No.: **4326-YxxRE**

No Of Contacts
02~20



PIN	DIM.A	DIM.B	PIN	DIM.A	DIM.B	PIN	DIM.A	DIM.B	PIN	DIM.A	DIM.B
02	2.54	5.12	07	15.24	17.94	12	27.94	30.68	17	40.64	43.30
03	5.08	7.66	08	17.78	20.48	13	30.48	33.10	18	43.18	45.90
04	7.62	10.20	09	20.32	23.02	14	33.02	35.80	19	45.72	48.56
05	10.16	12.74	10	22.86	25.58	15	35.56	38.34	20	48.26	50.80
06	12.70	15.30	11	25.40	28.12	16	38.10	40.94			



易昕企業有限公司
LEAMAX ENTERPRISE CO.,LTD.

TOLERANCE UNLESS OTHERWISE SPECIFIED		PROJ.	TITLE: Wire To Board Wafer 2.54mm 90° DIP Single Row			
.X± 0.35	X.° ± 2°	APP Chen 21-08-17	DWG NO. 4326-Y01			
.XX± 0.25	.X.° ± 1°	CHK Huang 01-08-17	UNITS: mm	PN: 4326-YxxRE		
.XXX± 0.15	.XX.° ± 0.5°	DRA Michelle 24-08-15	SIZE: A4	SCALE 4:1	SHEET 1 / 1	REV A1 V