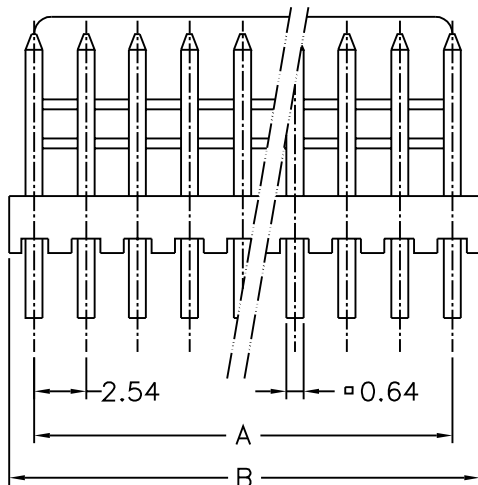
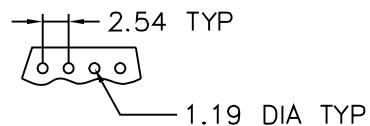
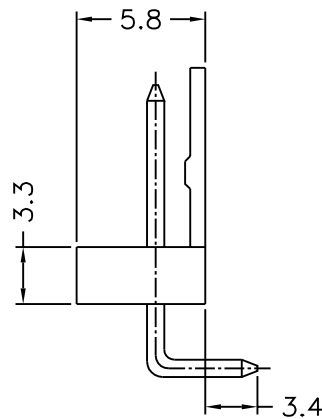
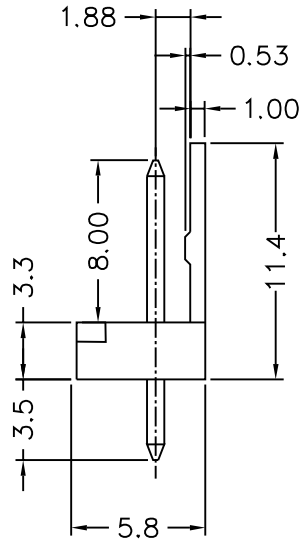


Straight Angle



Right Angle



Dimensions : mm

Circuits	Straight / Right Angle	
	A	B
2	2.54	5.08
3	5.08	7.62
4	7.62	10.16
5	10.16	12.70
6	12.70	15.24
7	15.24	17.78
8	17.78	20.32
9	20.32	22.86
10	22.86	25.40
11	25.40	27.94
12	27.94	30.48
13	30.48	33.02
14	33.02	35.56
15	35.56	38.10
16	38.10	40.64
17	40.64	43.18
18	43.18	45.72
19	45.72	48.26
20	48.26	50.80

SPECIFICATIONS

Available in 2 through 20 circuits

Insulator Material : Nylon 66 UL94V-2

Contact : 0.64mm(.025")tin plated square pin

Plating : G:Gold plated T: Tin plated

Type : S:Straight Type R:Right Angle Type

Tolerance  $\pm 0.2$

		<b>易昕企業有限公司</b> <b>LEAMAX ENTERPRISE CO., LED.</b>			
PROJ		SCALE : F DO NOT SCALE DWG	MOLD NO 4326		
APP			MODEL	FILE NO	REV. X1
CHK	CCJ	90.10.01			
DGN	AMY	90.10.01	UNIT	SHT 1 OF 1	SIZE A4
DRW	SHIEH	90.10.01	MM		