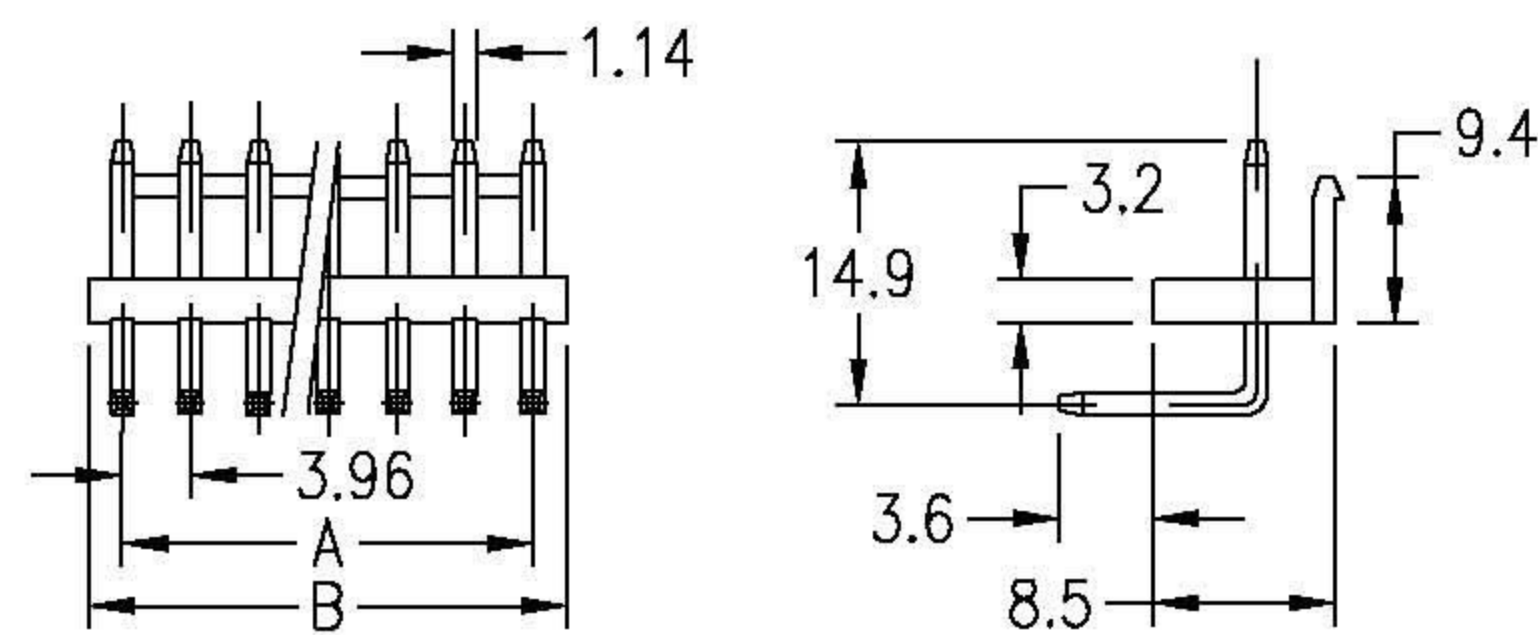


Straight Angle



Right Angle

Circuits	Part NO.	Dimension mm	
	Straight Angle	A	B
2	433302SE	3.96	7.92
3	433303SE	7.92	11.88
4	433304SE	11.88	15.84
5	433305SE	15.84	19.80
6	433306SE	19.80	23.76
7	433307SE	23.76	27.72
8	433308SE	27.72	31.68
9	433309SE	31.68	35.64
10	433310SE	35.64	39.60
11	433311SE	39.60	43.56
12	433312SE	43.56	47.52
13	433313SE	47.52	51.48

Ordering information:

4333 - X X E
 RoHS
 R: Right Angle
 S: Straight
 PIN: 02~13

Circuits	Part NO.	Dimension mm	
	Right Angle	A	B
2	433302RE	3.96	7.92
3	433303RE	7.92	11.88
4	433304RE	11.88	15.84
5	433305RE	15.84	19.80
6	433306RE	19.80	23.76
7	433307RE	23.76	27.72
8	433308RE	27.72	31.68
9	433309RE	31.68	35.64
10	433310RE	35.64	39.60
11	433311RE	39.60	43.56
12	433312RE	43.56	47.52
13	433313RE	47.52	51.48

Features:

- * Available in 2 through 13 circuits
- * Nylon 55 UL94V-2
- * 1.14mm(0.45")tin plated square pin
- * Mates with 4333-HXX series socket
- * Tolerance ± 0.2

Specifications:

- * Pitch between poles 3.96mm
- * Rated Voltage 250V AC,DC
- * Rated Current 5A AC,DC
- * Withstand Voltage 1500V AC/Minute
- * Insulation Resistance 1000M Ω /min
- * Temperature Range -25~85°C
- * Applicable P.C.B Thickness 1.6mm
- * Applicable P.C.B Hole dia $\phi 1.75\text{mm} \pm 0.05$

易昕企業有限公司 LEAMAX ENTERPRISE CO., LED.				
PROJ	SCALE : F DO NOT SCALE DWG	MOLD NO 4333		
REV	100.05.17	MODEL	FILE NO	
CHK	CCJ	P:3.96mm	VH TYPE	
DGN	AMY	UNIT	SHT 1 OF 1	SIZE
DRW	SHIEH	MM		A4