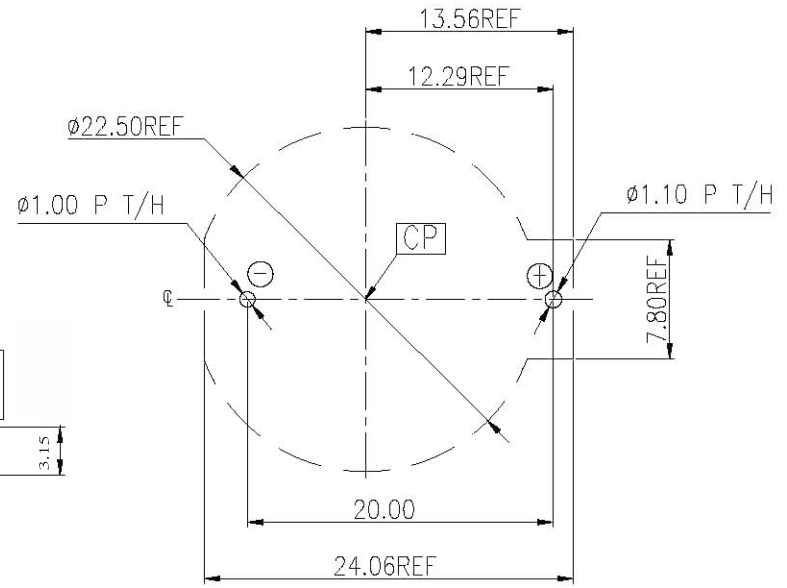
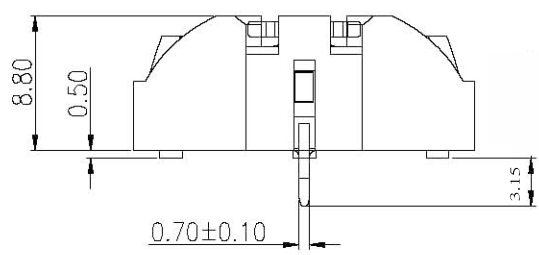
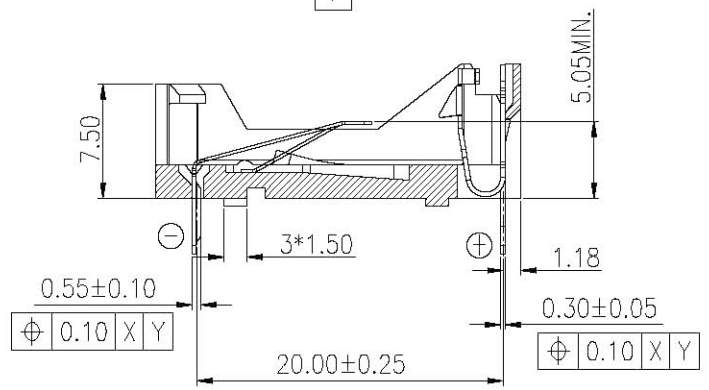
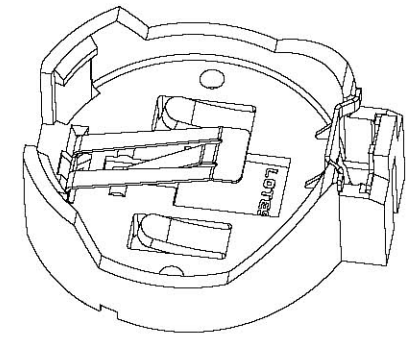
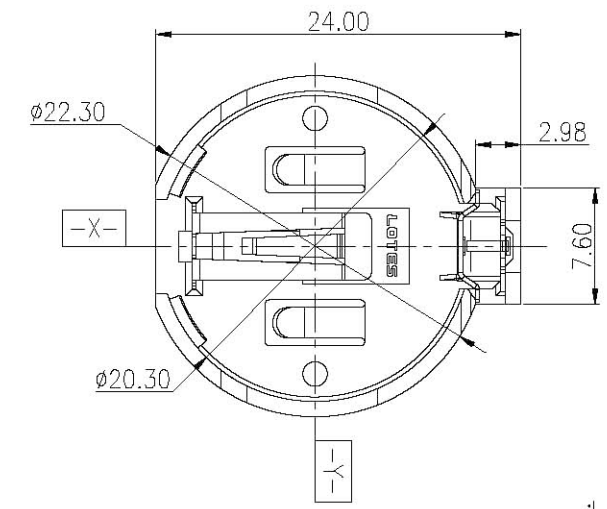


REV.	ECN NO./DESCRIPTION	DATE



RECOMMENDED PCB LAYOUT(TOP VIEW)
(PCB THICKNESS:T=1.60mm)(TOLERANCE:±0.05)

- NOTES:
- MATERIAL SPECIFICATION
1-1.HOUSING: PBT+30%G.F, BLACK. UL94V-0.
1-2.CONTACTS: Positive And Negative C2680_Ni50u"
 - PLATING SPECIFICATION: Matte Sn100u" Min.
 - ELECTRICAL PERFORMANCE
LLCR:30mΩ MAX.
INSULATION RESISTANCE:1000MΩ MIN.
DIELECTRIC WITHSTANDING:1000V AC FOR 1MINUTE.
 - WAVE SOLDER:CONNECTOR MOUNTED ON THE PCB,THE TEMPERATURE OF THE SOLDER SHALL BE 260±5°C AND IMMERSION DURATION 3~5 SECONDS.
 - LEAD FREE

GENERAL TOLERANCES UNLESS SPECIFIED		PN.4340-RE	易昕企業有限公司 LEAMAX ENTERPRISE CO., LTD.
X± 0.35	X°± 3°		
XX± 0.25	X°± 2°		
XXX± 0.15	XX°± 1°	APP: James 2011/11/14	TITLE BATTERY HOLDER FOR CR2032
CUSTOMER DRAWING		CHK: Shirley	DWG NO.4340-001
SIZE A4	UNITS MM[INCH]	DRW:Huang	SHEET 1/1 SCALE 2:1 REV 7