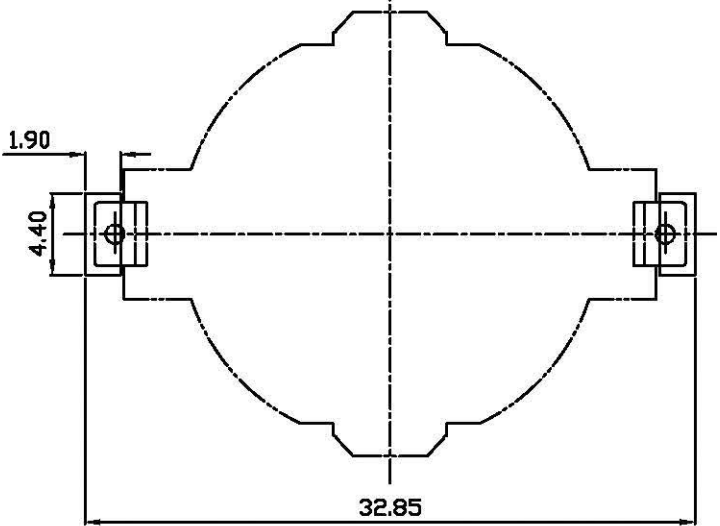
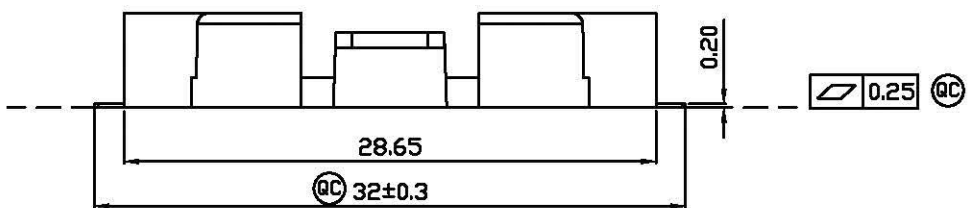
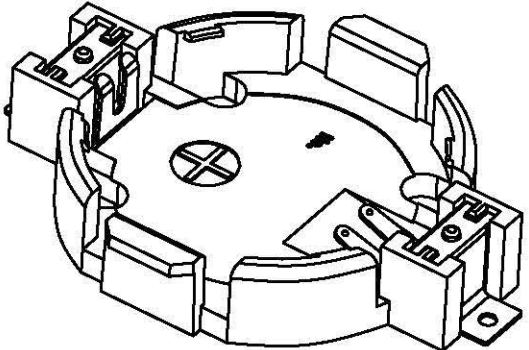
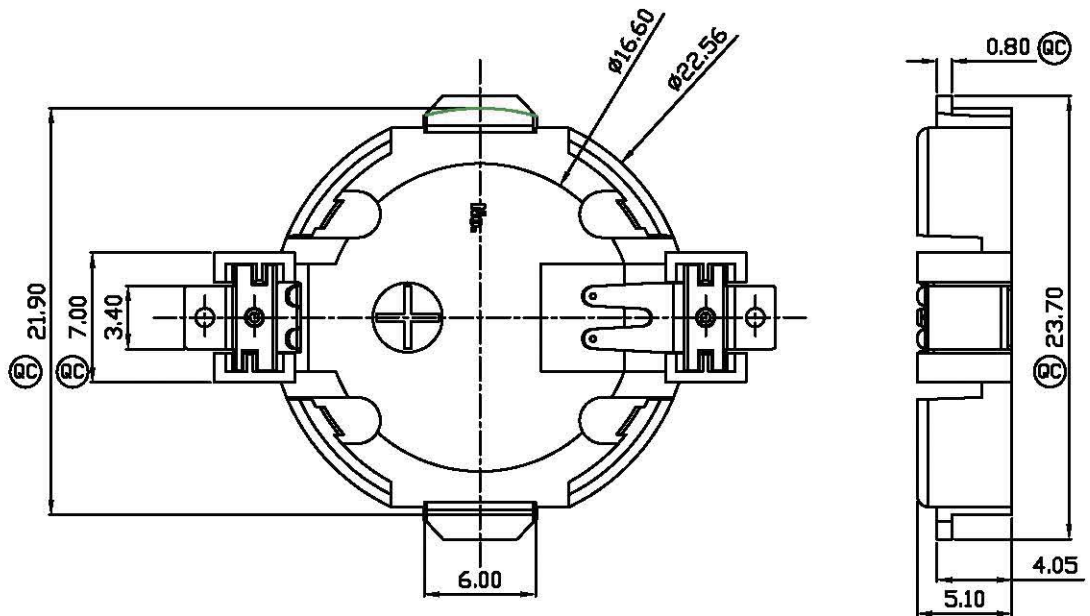


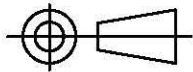

REV	ECR/DESCRIPTION	DATE	LTR
A	RELEASE	17-06-16	/
B	MODIFY THE BUCKLE	02-08-17	D2/D3/D4
C	MODIFY THE BUCKLE	10-04-18	A3/C3/D3



**RECOMMENDED PCB LAYOUT
COMPONENT SIDE**

- NOTES:
 1. MATERIAL: LCP, 30%GF UL94V-0.
 2. FLASH: CX4-0.05mm MAX.
 EJECTOR PLACE-0.10mm MAX.
 REMAINDER-0.20mm MAX.
 3. DEFORMATION: NA.
 4. BATTERY DIM: OD=19.8 T= 3.2MM
 PART NUMBER. 4340-RSJ5E-GW

Package: E:Tray General Type
 Plating: GW:Beige White G/F
 CW:Sn 100u" min
 OVER Ni 50u" min.

	GENERAL TOLERANCES		 易昕企業有限公司 LEAMAX ENTERPRISE CO., LTD.
	UNIT:MM	DEGREE	
		× 3°	.x .30
	×× 3°		.xx .20
			.xxx .10
DRAWN BY: Ranson 17-06-16	DATE:17-06-16	REV: C	TITLE: CR2032 BATTERY HOLDER FOR 2032 - SMT TYPE
CHK'D BY: Huang 01-10-18	SHEEL: 1 / 1	SCALE: 1:1	DWG NO.4340-108
APPRD BY: Chen 29-10-18			PN:4340-RSJ5E-GW