

1 2 3 4 5 6 7

A

A

B

B

C

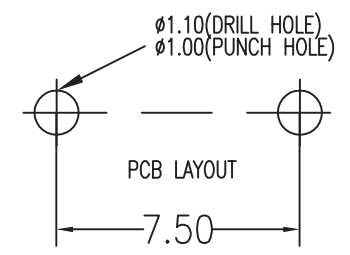
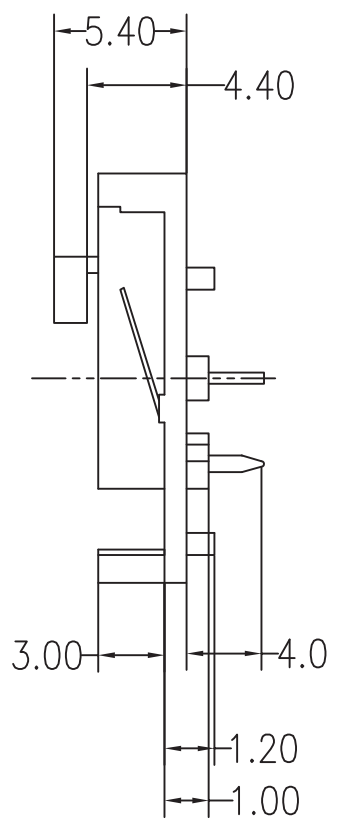
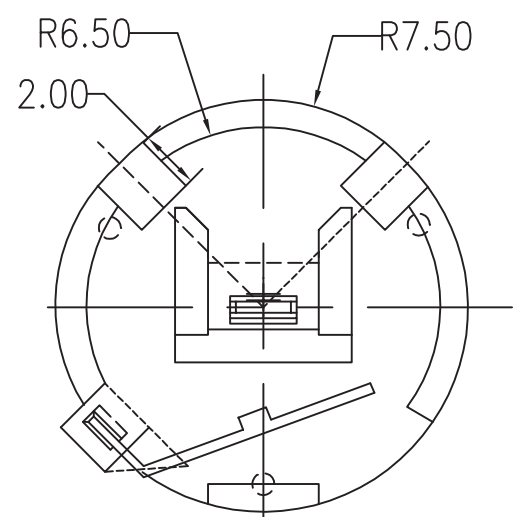
C

D


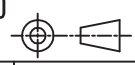
D

E

E



Note
 1.MATERIAL:HOUSING-PBT+30%G.F. UL94-V-0
 TERMINAL-PHOSPHOR BRONZE
 2.THIS TYPE JUST USED BATTERY'S DIM
 D=12.5MM T:2.00MM
 3.PLATING:Sn/Pb(90/10)100u"MIN
 OVER 50u"MIN NICKEL
 4.COLOR:BLACK

 易昕企業有限公司 LEAMAX ENTERPRISE CO., LTD.					
PROJ		SCALE : F DO NOT SCALE DWG	MOLD NO:	4340 - R2E	
APP			DWG NO:	4340 - 101	REV. X1
CHK	CCJ	101.12.27	UNIT	MM	SHT 1 OF 1
DGN	JAMES	101.12.27	SIZE		
DRW					

1 2 3 4 5 6 7