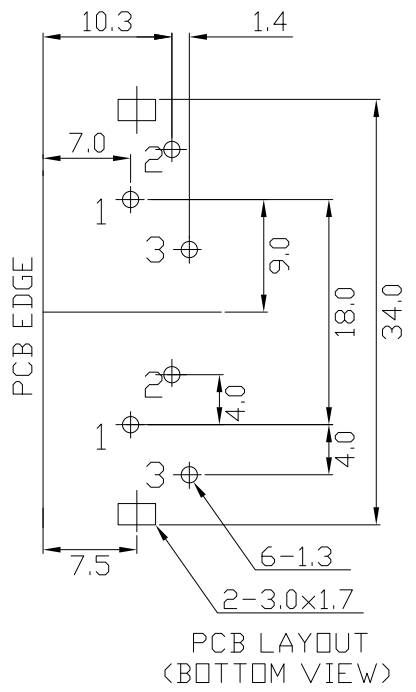
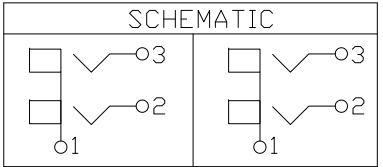
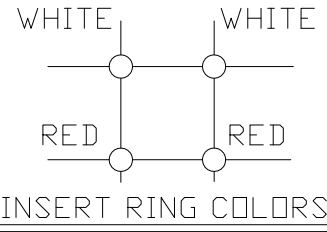
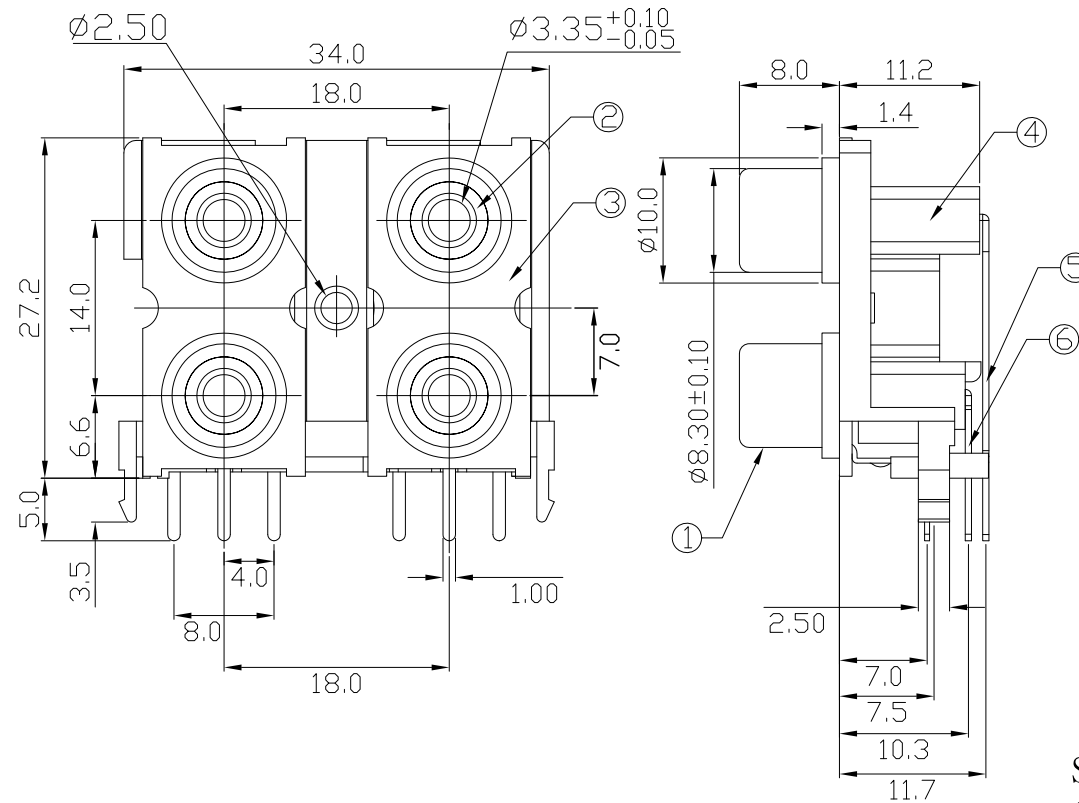


REV	ZONE	REVISION	DATE



Specification:  
 Contact Resistance: 30m Ohm. Max. At AC 100mA Max.1KHz  
 Insulation Resistance: 100M Ohm Min. At 500V DC  
 Rated Voltage And Current: DC 12V,2A Max ; AC 100V,1A Max.  
 Dielectric Withstanding Voltage: 500VAC At 60Hz For 1 Minute  
 Durability (Life Test): 4000 Cycles  
 Insertion Force: 0.3~3.0 Kg  
 Extraction Force: 0.3~3.0Kg



NO.	NAME	MATERIAL	FINISH	Q'TY
1	BARREL	BRASS T:0.4	NICKEL PLATED	2
2	INSERT RING	PBT G.F.	WHITE/RED	4
3	COVER	ABS	BLACK	2
4	HOUSING	ABS	WHITE	1
5	TERMINAL	BRASS T:0.5	TIN PLATED	2
6	TERMINAL	BRASS T:0.5	TIN PLATED	2



易昕企業有限公司  
LEAMAX ENTERPRISE CO., LED.

Drawing No			UNIT	SCALE	TITLE	
8711-001			mm	1:1	RCA JACK	
APPD.	CKD.	DWG.	DATE	TOLERANCE	PART NO.	REV.
JAMES 12-04-16	SHIRLEY 01-04-16	TINA 28-05-10	28-05-10	X. +0.38 .X ±0.25 .XX ±0.13 .XXX ±0.05	8711-4PUWRE	A0

MODEL 8711-4PUWRE PAGE 1 OF 1