

REV	ZONE	REVISION	DATE

NO.	NAME	MATERIAL	FINISH	Q'TY
1	BARREL	BRASS T:0.4	NICKEL PLATED	1
2	TERMINAL	BRASS T:0.5	TIN PLATED	1
3	HOUSING	PBT G.F.	W.R.Y.B.G.L.D	1

Specification:

Contact Resistance: 30m Ohm Max. At AC 100mA Max.1KHz.

Insulation Resistance: 100M Ohm Min. At 500V DC.

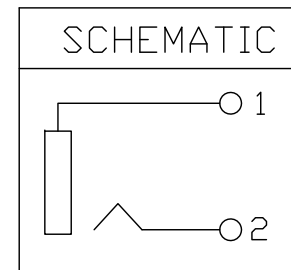
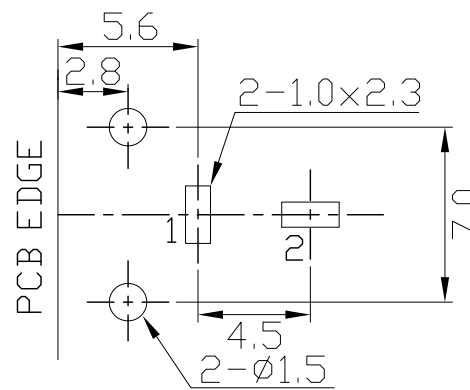
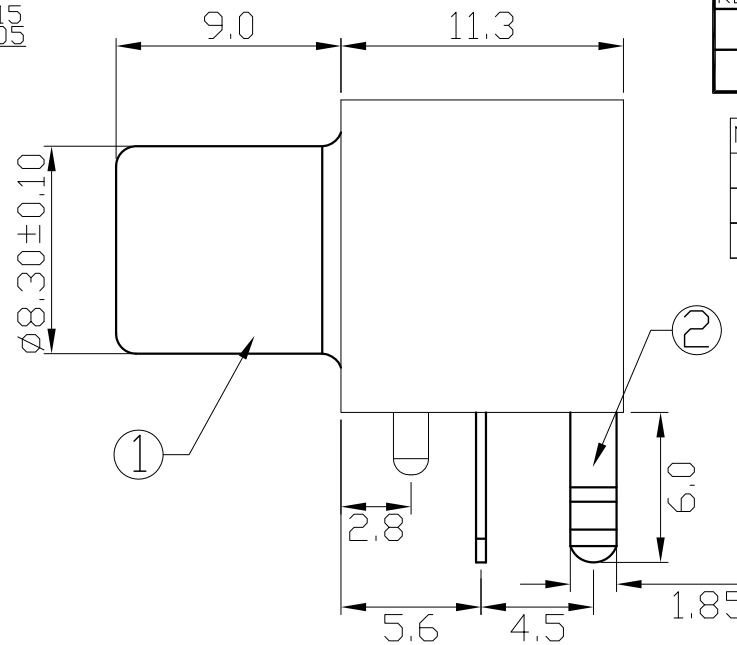
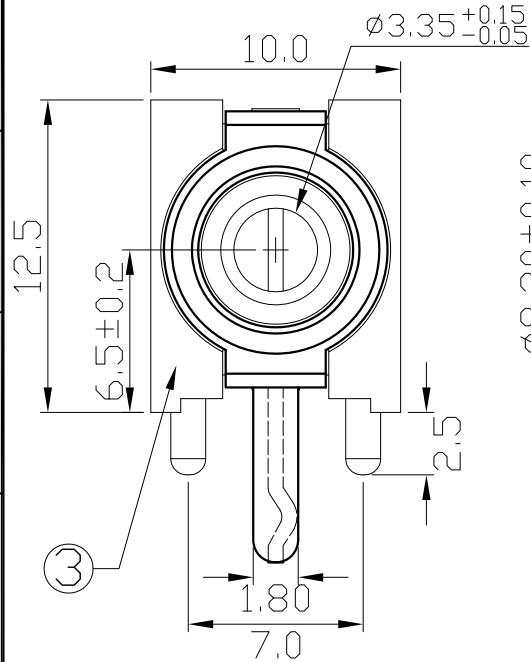
Rated Voltage And Current: DC 12V,2A Max.

Dielectric Withstanding Voltage: 500VAC At 60Hz For 1 Minute.

Durability (Life Test): 4000 Cycles.

Insertion Force: 0.3~3.0 Kg.

Extraction Force: 0.3~3.0 Kg.



PCB LAYOUT
(BOTTOM VIEW)



易昕企業有限公司
LEAMAX ENTERPRISE CO., LED.

Drawing No			UNIT	SCALE	TITLE	
8714-002			mm	1:1	RCA JACK	
APPD.	CKD.	DWG.	DATE	TOLERANCE	PART NO.	REV.
JAMES 01-11-13	SHIRLEY 01-10-13	TINA 25-12-07	25-12-07	X. ±0.38 .X ±0.25 .XX ±0.13 .XXX ±0.05	8714-2018-xL	A0

MODEL

8714-2018-xL

PAGE 1 OF 1