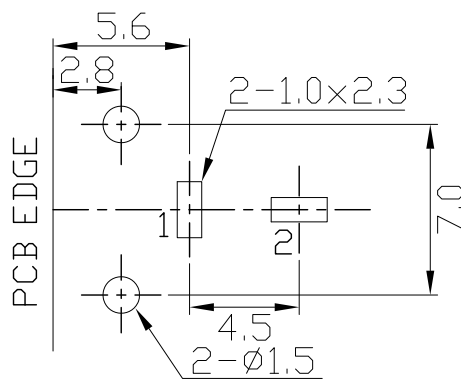
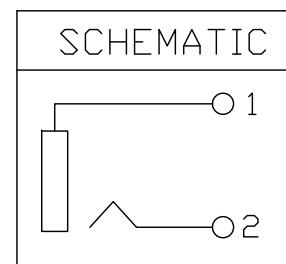


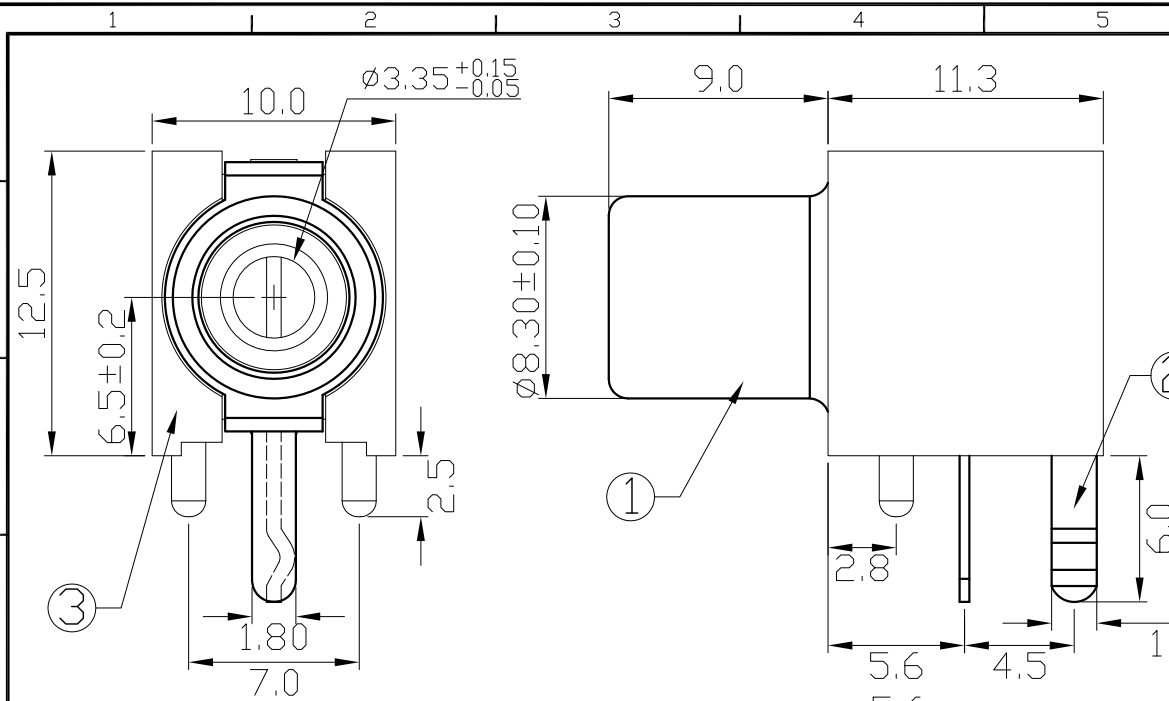
REV	ZONE	REVISION	DATE

NO.	NAME	MATERIAL	FINISH	Q'TY
1	BARREL	BRASS T:0.4	NICKEL PLATED	1
2	TERMINAL	BRASS T:0.5	TIN PLATED	1
3	HOUSING	PBT G.F.	W.R.Y.B.G.L.□	1

Specification:
 Contact Resistance: 30m Ohm Max. At AC 100mA Max.1KHz.
 Insulation Resistance: 100M Ohm Min. At 500V DC.
 Rated Voltage And Current: DC 12V,2A Max.
 Dielectric Withstanding Voltage: 500VAC At 60Hz For 1 Minute.
 Durability (Life Test): 4000 Cycles.
 Insertion Force: 0.3~3.0 Kg.
 Extraction Force: 0.3~3.0 Kg.



PCB LAYOUT (BOTTOM VIEW)



LEAMAX 易昕企業有限公司
 LEAMAX ENTERPRISE CO., LED.

MODEL 8714-2018-xL PAGE 1 OF 1

Drawing No			UNIT	SCALE	TITLE		
8714-002			mm	1:1	RCA JACK		
APPD.	CKD.	DWG.	DATE	TOLERANCE	PART NO.	REV.	
JAMES 01-11-13	SHIRLEY 01-10-13	TINA 25-12-07	25-12-07	X. +0.38 .X +0.25 .XX +0.13 .XXX +0.05	8714-2018-xL	A0	